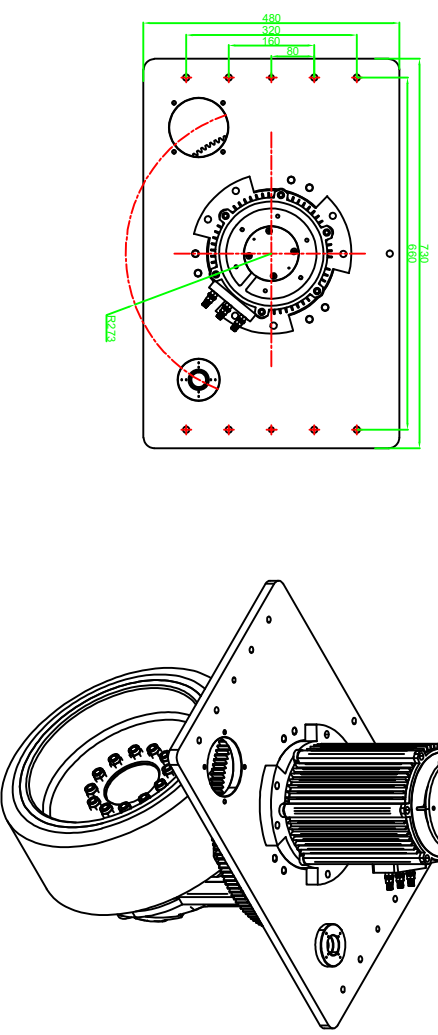
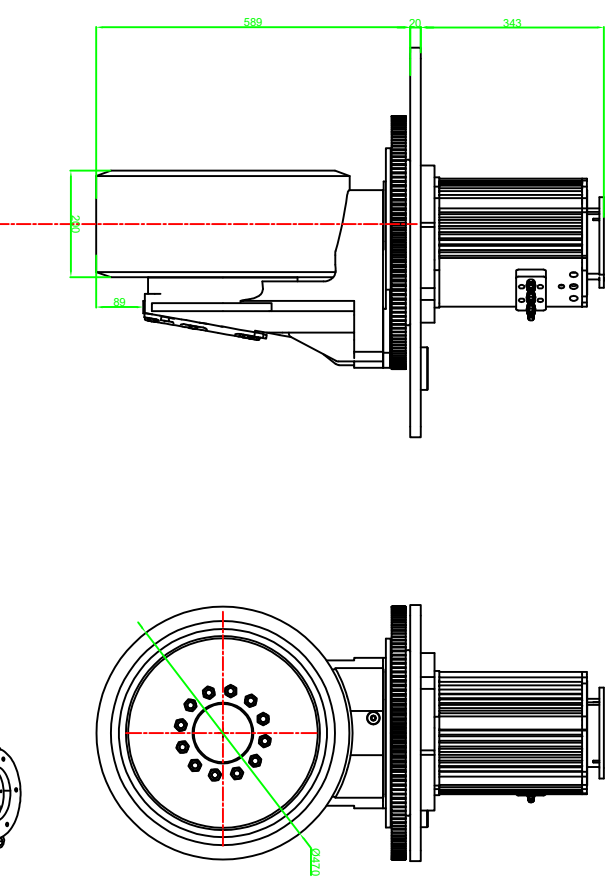


AC MOTOR IN WHEEL UNIT

CODE
PLT470P103AP12-25-4V

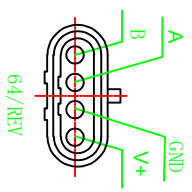
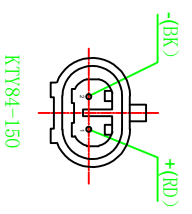
| Traction system | |
|----------------------------------|----------|
| Motor type: TEC-S200P10000A12-80 | |
| Power (S2) | W 10000 |
| Battery voltage | V(DC) 80 |
| Current | A 156 |
| Speed | rpm 1200 |
| Torque | Nm 85 |
| Enclosure | IP 54 |
| Encoder type | |
| Wheel diameter | mm 470 |
| Gear ratio | 1 25 |
| Wheel speed | m/min 71 |
| Nominal wheel torque | Nm 1806 |
| Max accel and braking torque | Nm 2600 |
| Lubrication | Grease |
| Brake torque | Nm 100 |
| Brake Voltage | V(DC) 80 |
| Brake power | W 55 |
| Max load on wheel | Kg 6500 |



| Traction Motor wiring | |
|-----------------------|-----|
| DEF | SIG |
| 1 | U |
| 2 | V |
| 3 | W |
| 4 | PE |

Optional accessories:

Encoder, Potentionmeter, Home switch, Limit switch.



| | |
|--------|---|
| CO | Shanghai Plutools Automation Corporation Limited |
| URL | https://www.plutools.com/ |
| Drawn: | LXB |
| Date: | 2025.2.10 |
| Check: | |