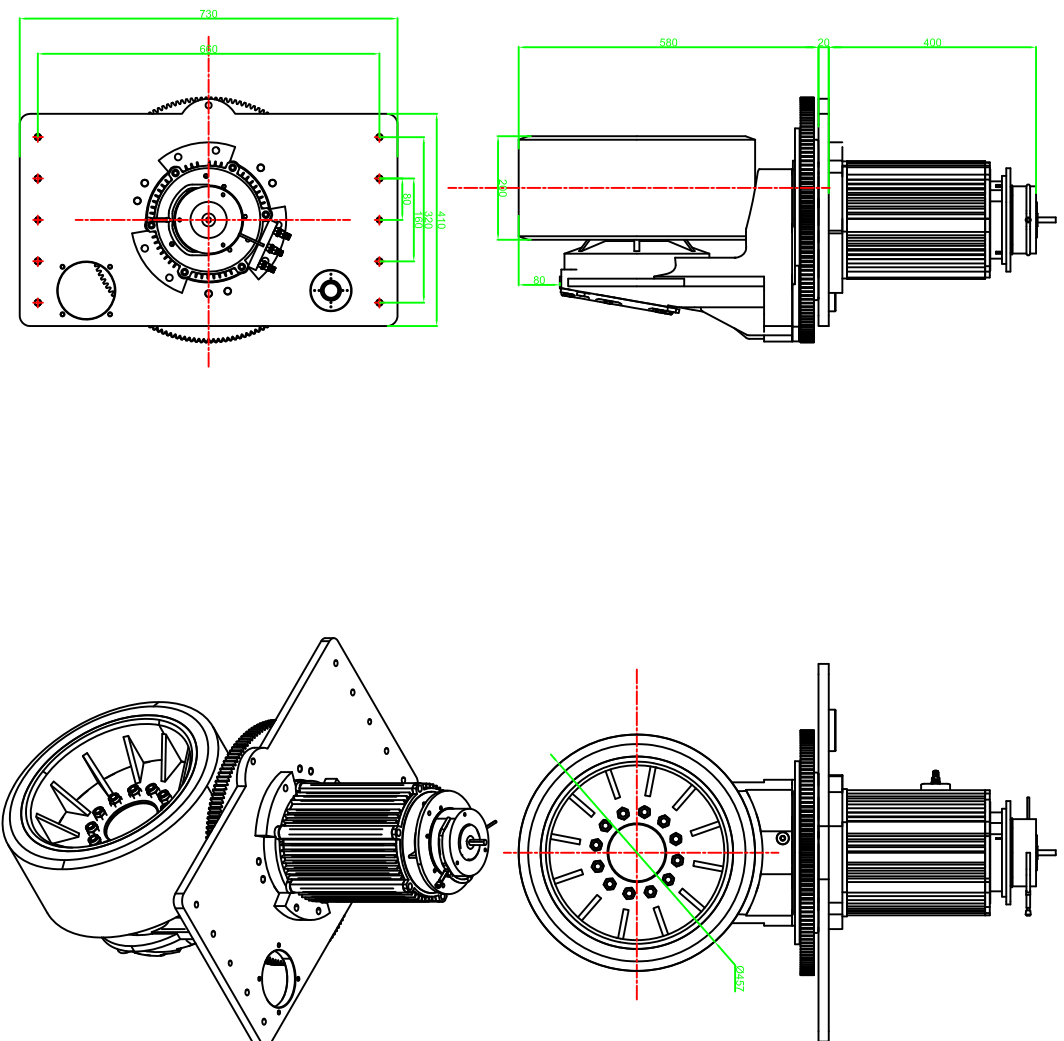


# AC MOTOR IN WHEEL UNIT

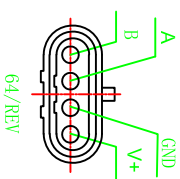
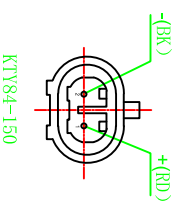
**CODE**  
PLT457P103AP12-25-3V



Traction system	
Motor type:TEC-S200P10000A12-80	
Power (S2)	W 10000
Battery voltage	V(DC) 80
Current	A 156
Speed	rpm 1200
Torque	Nm 85
Enclosure	IP 54
Encoder type	
Wheel diameter	mm 457
Gear ratio	1 25
Wheel speed	m/min 69
Nominal wheel torque	Nm 1806
Max accel and braking torque	Nm 2600
Lubrication	Grease
Brake torque	Nm 100
Brake Voltage	V(DC) 80
Brake power	W 55
Max load on wheel	Kg 6500

Traction Motor wiring	
DEF	SIG
1	U
2	V
3	W
4	PE

Optional accessories:  
Encoder, Potentiometer, Home switch, Limit switch.



CO	Shanghai Plutools Automation Corporation Limited	
URL	<a href="https://www.plutools.com/">https://www.plutools.com/</a>	
Drawn:	LXB	Date: 2025.2.11
Check:	