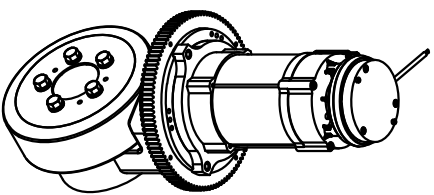
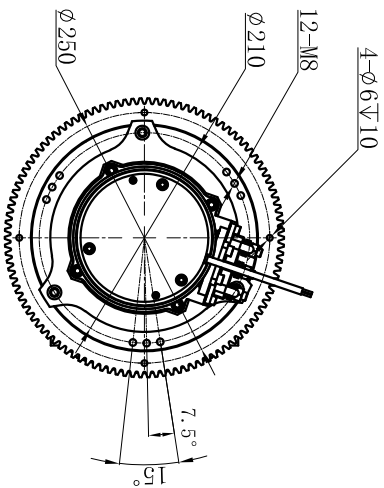
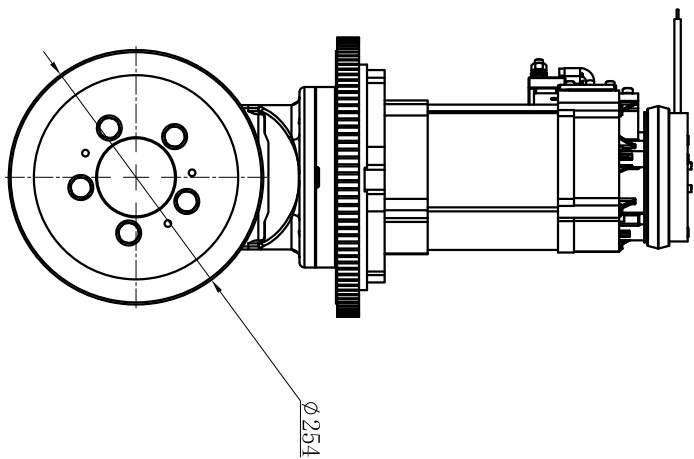
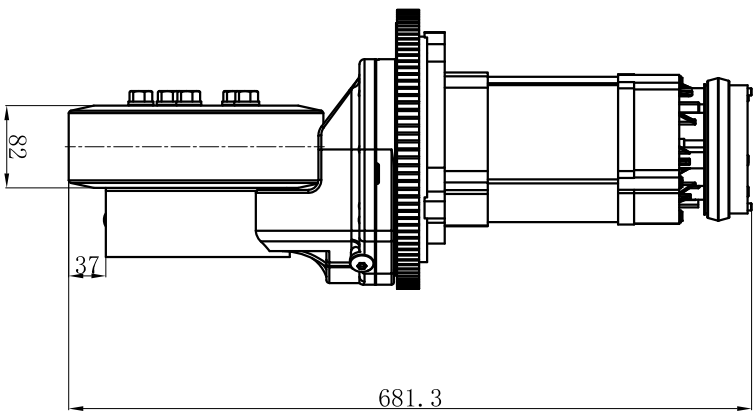
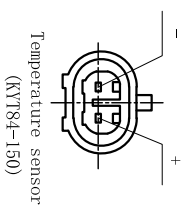
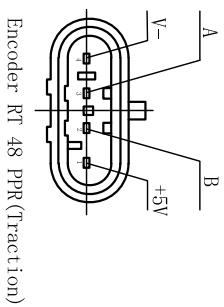


# AC MOTOR IN WHEEL UNIT

CODE  
PLT250P252A30-19-2V-B



Traction system	
Motor type:Ac motor (TEC-P150P2500A30-48)	
Power(S2)	W 2500
Battery voltage	V(DC) 48
Current	A 72
Speed	rpm 3000
Torque	Nm 8
Peak torque	Nm 20
Enclosure	IP 54
Wheel diameter	mm 254
Gear ratio	I 19
Wheel speed	m/min 125
Nominal wheel torque	Nm 129
Max accel and braking torque	Nm 329
Lubrication	Grease
Max load on wheel	Kg 1800



CO	Shanghai Plutoools Automation Corporation Limited
URL	<a href="https://www.plutools.com/">https://www.plutools.com/</a>
Drawn:	CZL
Date:	2024.12.24
Check:	